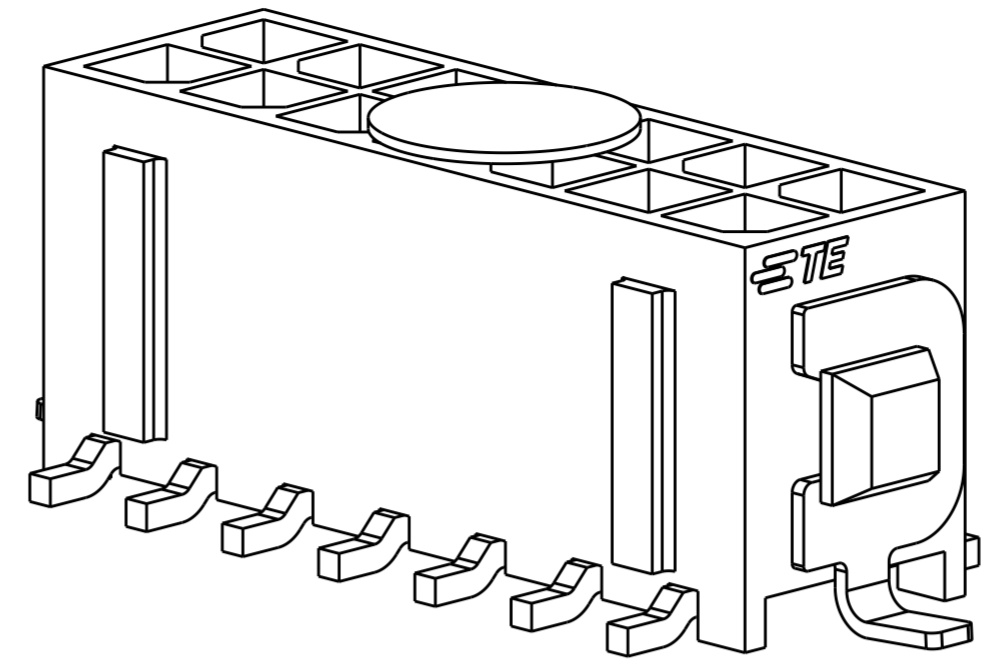
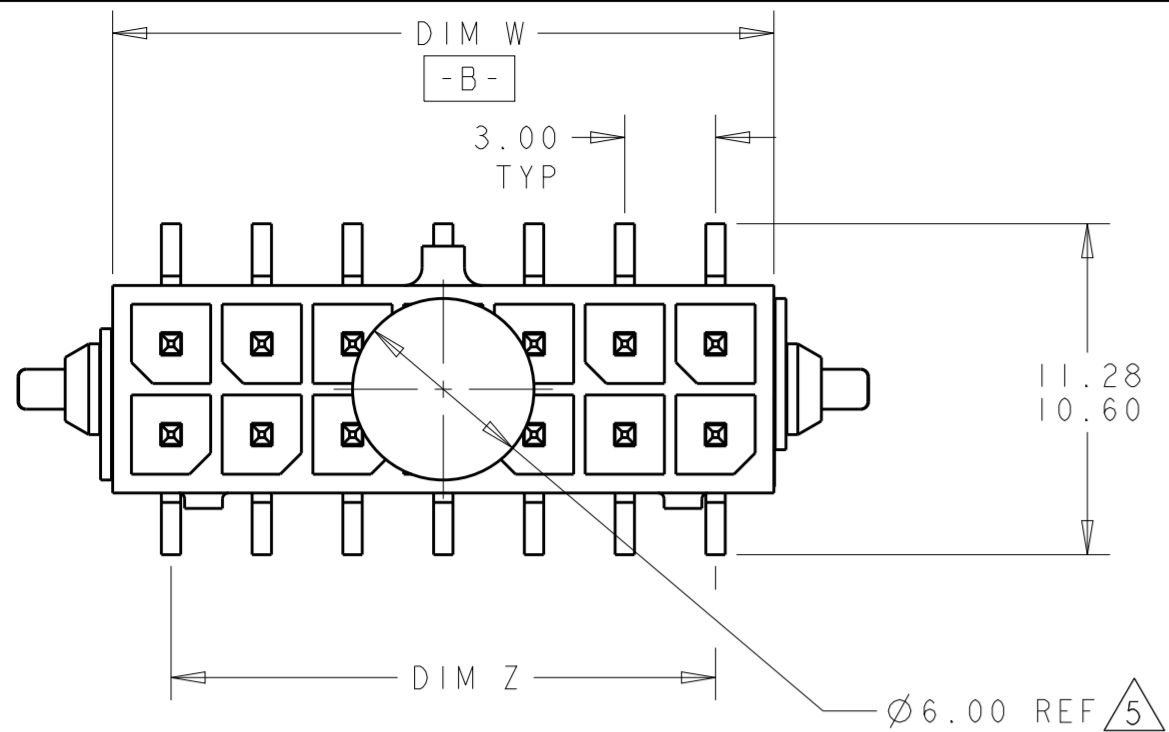
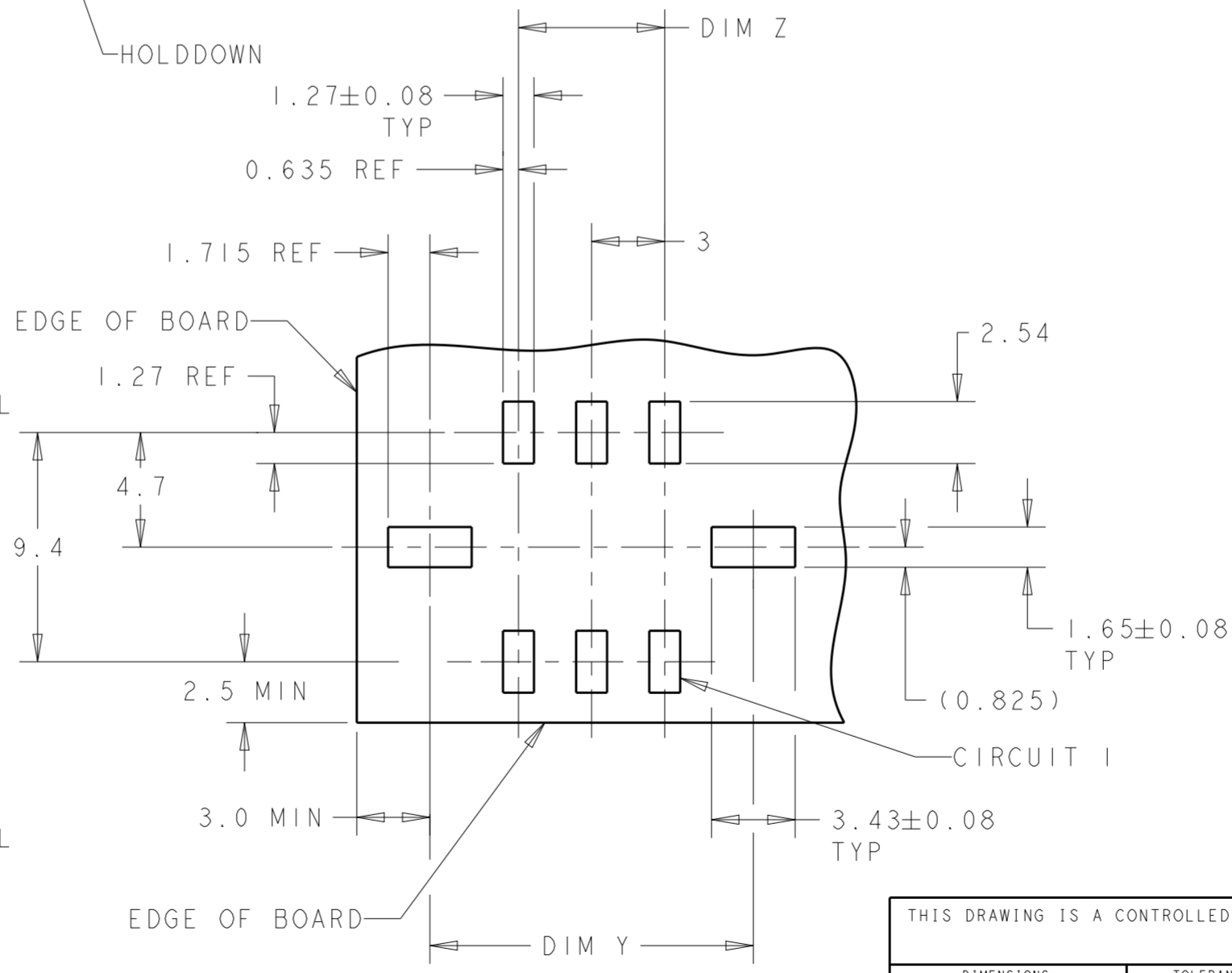
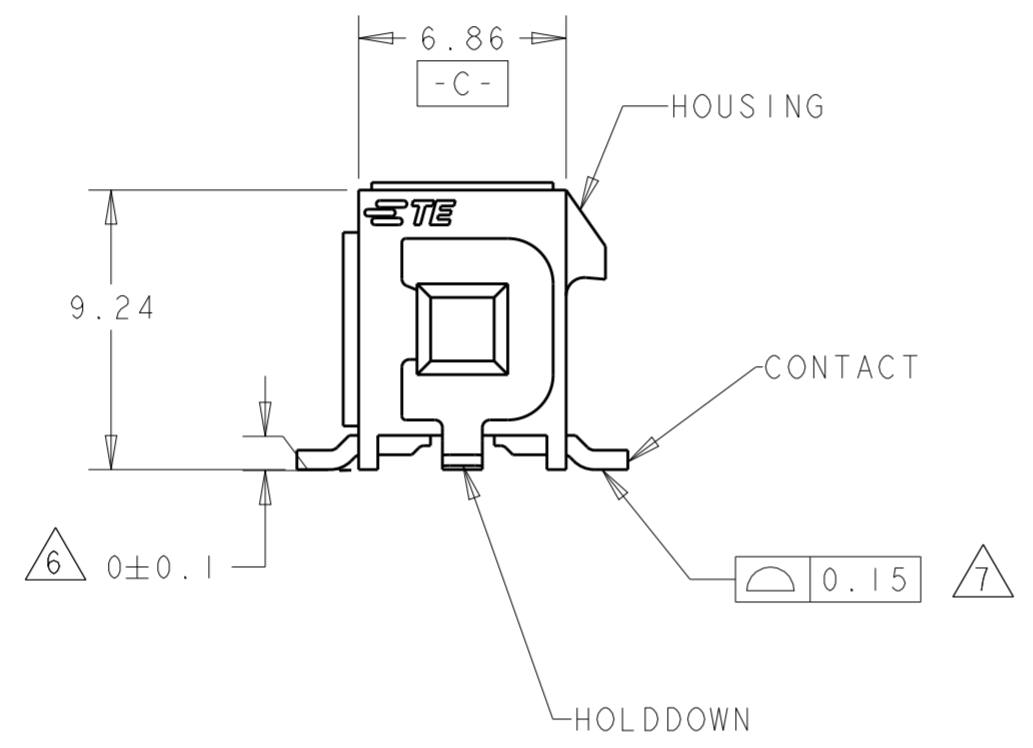
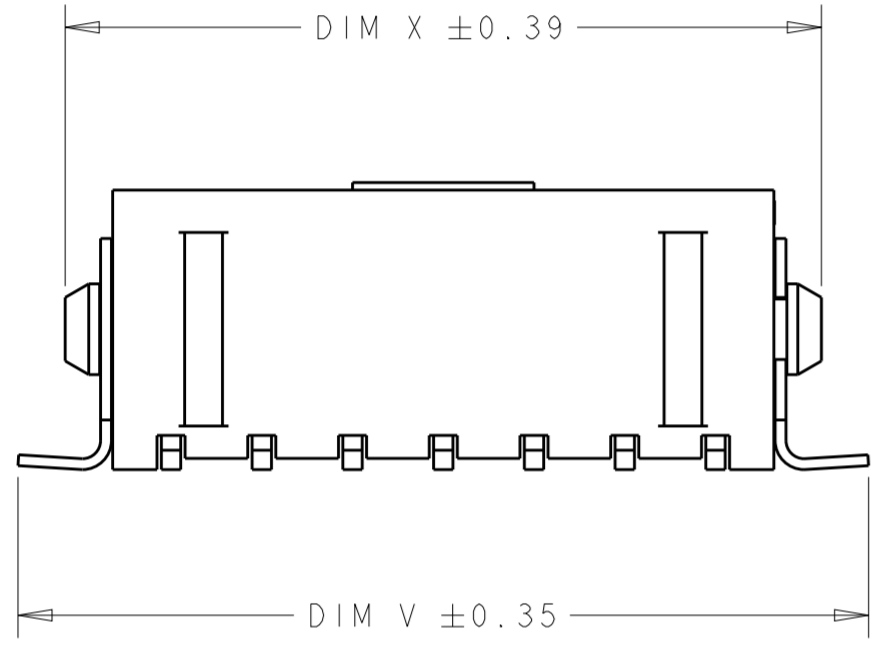


THIS DRAWING IS UNPUBLISHED. RELEASED FOR PUBLICATION 20
COPYRIGHT 20 BY - ALL RIGHTS RESERVED.

LOC	DIST	REVISIONS					
CM	00	P	LTR	DESCRIPTION	DATE	DWN	APVD
			J	REVISED PER ECO-15-003291	27JULY2015	SC	DZ

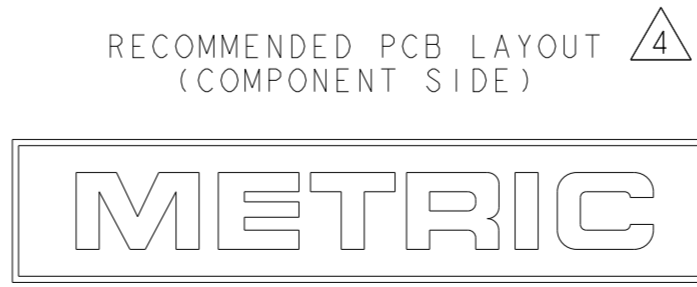


SCALE 6:1



- $\triangle 1$ MATERIAL;
CONTACTS - BRASS.
HOUSING - UL 94V-0 RATED HIGH TEMP NYLON, COLOR; BLACK.
HOLDDOWNS - PHOSPHOR BRONZE.
- $\triangle 2$ PLATING;
CONTACTS - 0.38 μ m MINIMUM GOLD OVER 2.54 μ m MINIMUM NICKEL ON MATING AREA. 2.54 μ m TIN-LEAD MINIMUM OVER 2.54 μ m NICKEL MINIMUM ON SOLDER TAILS.
HOLDDOWNS - 2.54 μ m TIN LEAD.
- $\triangle 4$ RECOMMENDED PCB BOARD THICKNESS OF 1.57.
- $\triangle 5$ KAPTON VACUUM PICK UP BUTTON.
- $\triangle 6$ DIMENSION APPLIES TO SOLDER TAIL SURFACES AND STANDOFF SURFACES.
- $\triangle 7$ ALL SOLDER TAILS AND HOLDDOWNS.
- $\triangle 8$ PLATING;
CONTACTS - 0.38 μ m MINIMUM GOLD OVER 2.54 μ m MINIMUM NICKEL ON MATING AREA. 2.54 μ m MATTE TIN MINIMUM OVER 2.54 μ m NICKEL MINIMUM ON SOLDER TAILS.
HOLDDOWNS - 2.54 μ m MATTE TIN.

FINISH	DIM V	DIM W	DIM Y	DIM Z	DIM X	NO. OF POSN.	PART NUMBER
$\triangle 8$	43.04	36.86	40.27	33.00	40.00	24	5-794637-4
$\triangle 8$	40.04	33.86	37.27	30.00	37.00	22	5-794637-2
$\triangle 8$	37.04	30.86	34.27	27.00	34.00	20	5-794637-0
$\triangle 8$	34.04	27.86	31.27	24.00	31.00	18	4-794637-8
$\triangle 8$	31.04	24.86	28.27	21.00	28.00	16	4-794637-6
$\triangle 8$	28.04	21.86	25.27	18.00	25.00	14	4-794637-4
$\triangle 8$	25.04	18.86	22.27	15.00	22.00	12	4-794637-2
$\triangle 8$	22.04	15.86	19.27	12.00	19.00	10	4-794637-0
$\triangle 8$	19.04	12.86	16.27	9.00	16.00	8	3-794637-8
$\triangle 8$	16.04	9.86	13.27	6.00	13.00	6	3-794637-6
$\triangle 8$	13.04	6.86	10.27	3.00	10.00	4	3-794637-4
$\triangle 8$	10.04	3.86	7.27	-	7.00	2	3-794637-2
$\triangle 2$	43.04	36.86	40.27	33.00	40.00	24	2-794637-4
$\triangle 2$	40.04	33.86	37.27	30.00	37.00	22	2-794637-2
$\triangle 2$	37.04	30.86	34.27	27.00	34.00	20	2-794637-0
$\triangle 2$	34.04	27.86	31.27	24.00	31.00	18	1-794637-8
$\triangle 2$	31.04	24.86	28.27	21.00	28.00	16	1-794637-6
$\triangle 2$	28.04	21.86	25.27	18.00	25.00	14	1-794637-4
$\triangle 2$	25.04	18.86	22.27	15.00	22.00	12	1-794637-2
$\triangle 2$	22.04	15.86	19.27	12.00	19.00	10	1-794637-0
$\triangle 2$	19.04	12.86	16.27	9.00	16.00	8	794637-8
$\triangle 2$	16.04	9.86	13.27	6.00	13.00	6	794637-6
$\triangle 2$	13.04	6.86	10.27	3.00	10.00	4	794637-4
$\triangle 2$	10.04	3.86	7.27	-	7.00	2	794637-2



THIS DRAWING IS A CONTROLLED DOCUMENT.

DWN: K. WHITAKER 19-MAR-2003
CHK: C. JONES 19-MAR-2003
APVD: C. JONES 19-MAR-2003

TE Connectivity

NAME: SURFACE MOUNT, VERTICAL, MECHANICAL HOLDDOWN, ASSEMBLY, 15 GOLD HEADER DUAL ROW, MICRO MATE-N-LOK™

SIZE: A2 CAGE CODE: A200779 DRAWING NO: C-794637

SCALE: 4:1 SHEET 1 OF 1 REV J

SEE TABLE